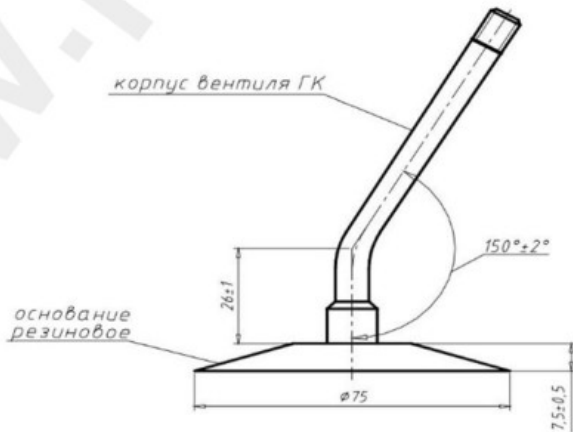


Tube 12.00-16 RUSS**КАМЕРА 12-16**

СХЕМА ПРОФИЛЯ ОСНОВАНИЯ И ИЗГИБА ВЕНТИЛЯ

ГК-105



Category	Tubes
Size	12.00-16
Width	12
Height	
Rim	16
Model	GK115
Analogue	

Delivery 1-5 w/d

Warranty

Description

All technical information about products in our website protekta.lt is based on the information given by the manufacturers. This information serves only information purposes and it is not mandatory.